




BETRIEBSANLEITUNG
OPERATING INSTRUCTIONS
INSTRUCTIONS DE SERVICE
ISTRUZIONI D'USO
HANDLEIDING
INSTRUCCIONES PARA EL MANEJO
MANUAL DE INSTRUÇÕES
NAUDOJIMOSI INSTRUKCIJA
KASUTUSJUHEND
LIETOŠANAS INSTRUKCIJA
DRIFTSINSTRUKS
DRIFTSINSTRUKTIONER
DRIFTSVEJLEDNING
INSTRUKCJA OBSŁUGI

KEZELÉSI ÚTMUTATÓ
NÁVOD K OBSLUZE
NAVODILO ZA UPORABO
NÁVOD NA OBSLUHU
UPUTE ZA RAD
MANUAL DE OPERATII
TREORACHA OIBRIÚCHÁIN
ΟΔΗΓΙΕΣ ΧΡΗΣΗΣ
EL KITABI
ИНСТРУКЦИИ ЗА ЕКСПЛОАТАЦИЯ
ИНСТРУКЦИЯ ПО ЕКСПЛОАТАЦИИ
取扱説明書
사용설명서
使用说明书

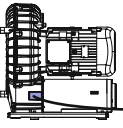


SV 1100 SV 1101

MAKE IT BECKER.


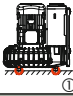



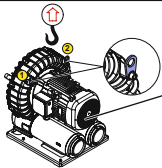
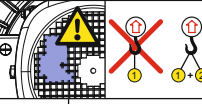


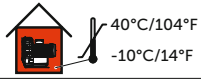
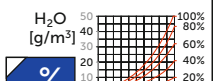
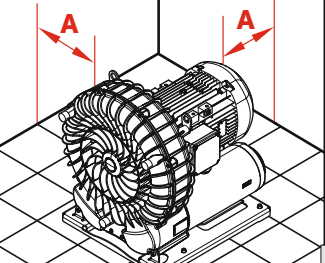
1

			m³/h mbar
	<p>L_{pA})))</p> <p>DIN EN ISO 11203 Accuracy Class 2 K_{iso} = 3 dB(A) ←-1m</p>		


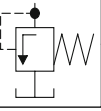
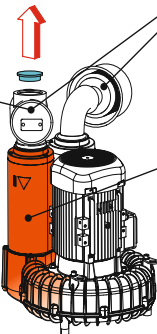
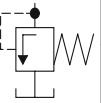
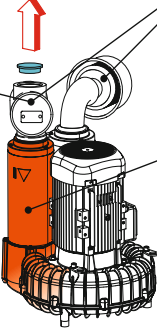
2

static inst. ①-③		dynamic installation Gebr. BECKER
		
<p> The pump must be securely mounted at the place of installation. Physical tension on the blower housing must be avoided.</p>		
		<p>125-160 kg 276-353 lbs</p>


3


	<p>40°C/104°F -10°C/14°F</p>	<p>H₂O [g/m³]</p> 
<p>INLET AIR</p> <p>40°C/104°F 0°C/32°F</p>	<p>max. 90%</p> <p>Temp. [°C]</p>	
<p>max. 800m</p> <p>A > 100mm A > 4"</p>		


4

<p>PRESSURE</p> 	<p>optional en option opcionale opcional</p>	<p>VACUUM</p> 
	<p></p> <p>AIR</p> <p>>100°C >212°F</p>	



5

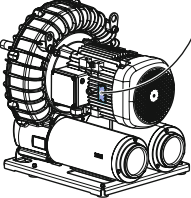






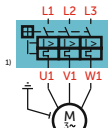
Frequency > 60Hz
Please consult **BECKER**

 50 Hz xxxvV 230/240/250/260 V Δ / Y xxxA / 26.0A IEC 60034-2 xxxA/26.0A/30A	 60 Hz xxxvV 230/240/250/260 V Δ / Y xxxA / 26.0A IEC 60034-2 xxxA/26.0A/30A
---	---

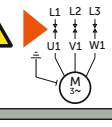


6


GENERAL



¹⁾ motor protection switch ✔




✘

ADDITIONAL  $\geq 5.5 \text{ kW}$

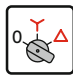
RECOMMENDATION

A

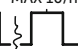


Softstart

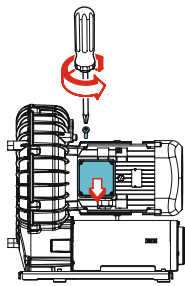
B

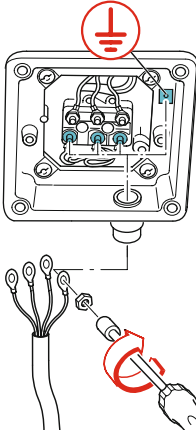


ON (I) - 1 2 MAX 10/h


OFF (0) - 

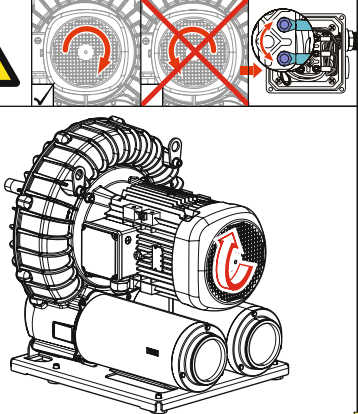
7







8







9

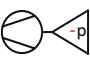
 **PRESSURE**

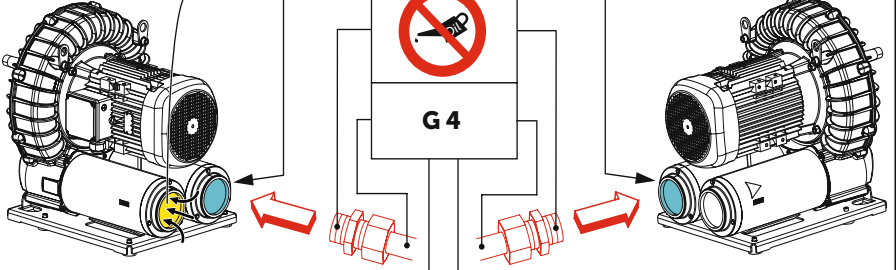






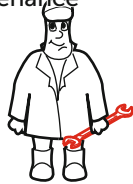


G 4

 **VACUUM**


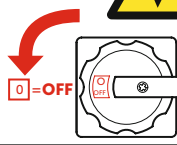






10

Maintenance






11


n=0min⁻¹

2-3 Min



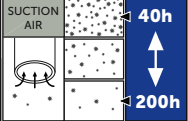
12

CLEANING INTERVAL




PRESSURE

optional
en option
optionale
opcional



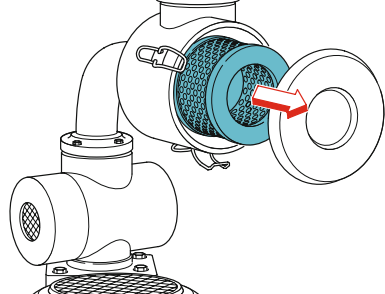
13

CLEANING INTERVAL




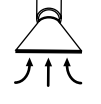
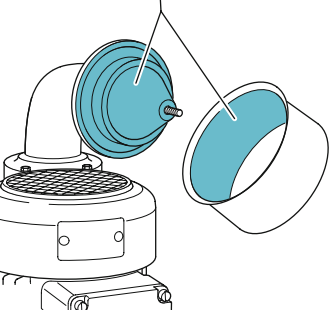
VACUUM

optional
en option
optionale
opcional





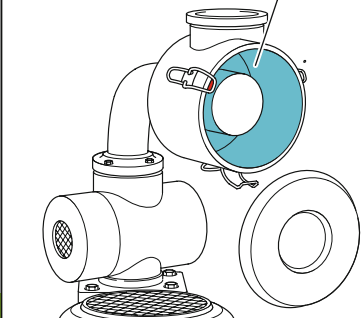
14

PRESSURE

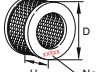


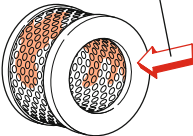
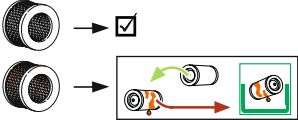




15




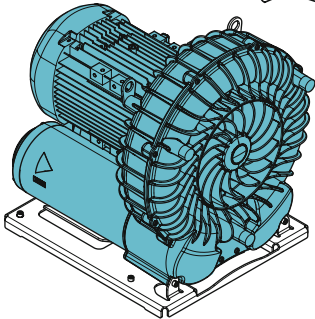
VACUUM

16

		
<p>1.</p> 		<p>EN149 - FFP3 42 CFR 84 - N100</p>
<p>2.</p> 		

17

18



www.becker-international.com

19



WWW.BECKER-INTERNATIONAL-SHOP.COM

Gebr. Becker GmbH
 Hoelker Feld 29-31
 42279 WUPPERTAL
 GERMANY
 info@becker-international.com
 www.becker-international.com





2810060700 | 2020-11 | All rights reserved

MAKE IT BECKER.